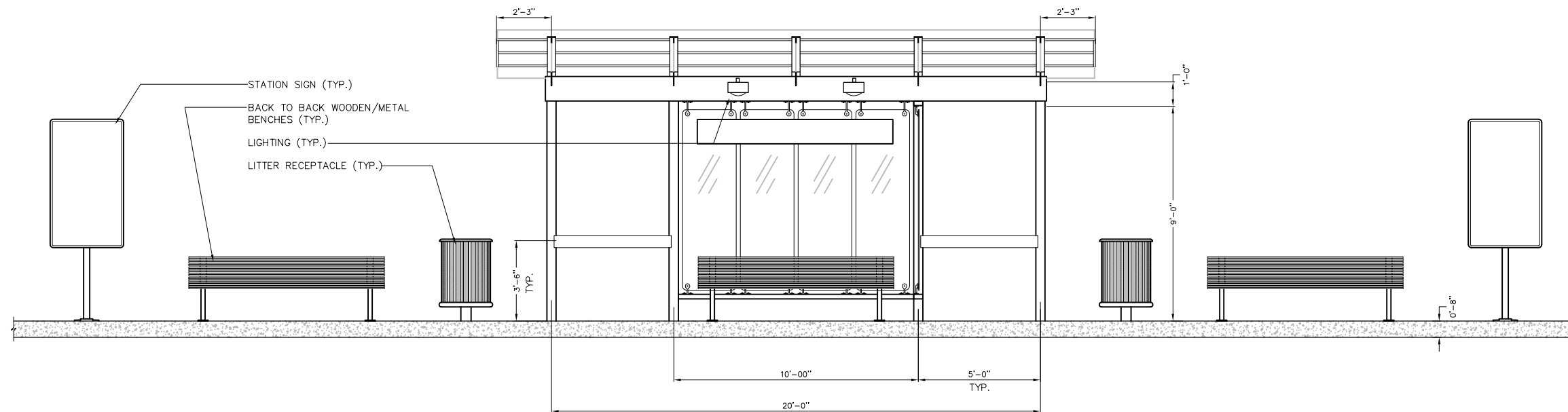
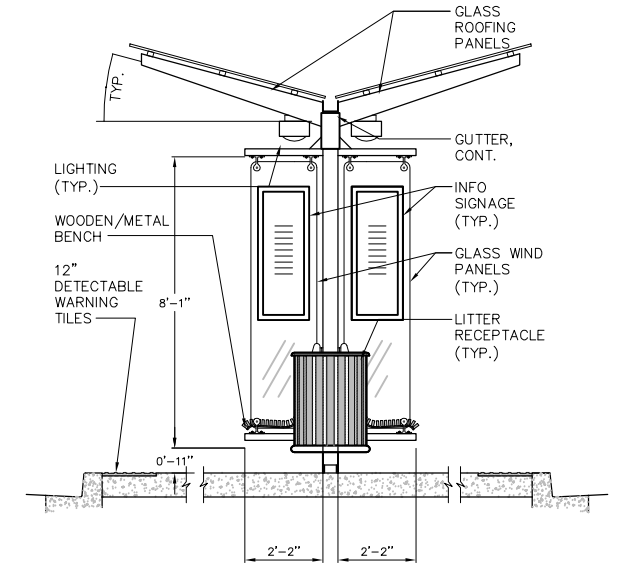


PLAN VIEW
SCALE: 3/32"=1'-0"



FRONT ELEVATION
SCALE: 3/32"=1'-0"



SIDE ELEVATION
SCALE: 3/32"=1'-0"

NO.	REVISION	BY	DATE	RECORD DRAWING DATE:
				SCALE
				HORIZONTAL: AS NOTED
				VERTICAL: N/A
				PROJECT NO.
				CAD FILE:

DESIGN:	
DRAWN:	
CHECKED:	
APPROVED:	

**PRELIMINARY
ENGINEERING
NOT FOR
CONSTRUCTION**

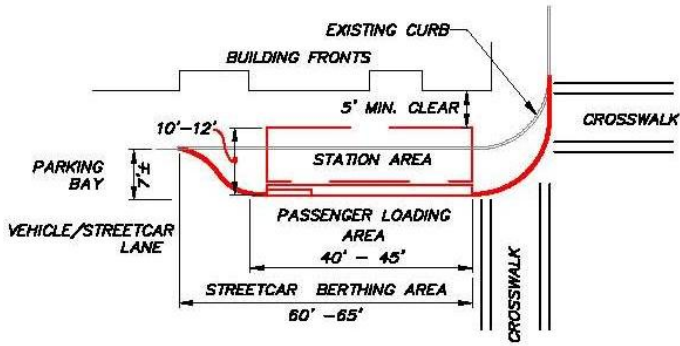
**CITY OF WEST SACRAMENTO
ENGINEERING DIVISION**
1110 WEST CAPITOL AVENUE
WEST SACRAMENTO, CA 95691



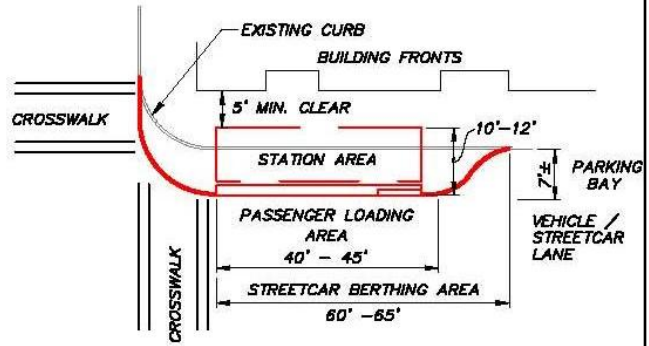
HDR
2365 Iron Point Road
Suite 300
Folsom, CA 95630
(916) 817-4700

DOWNTOWN/RIVERFRONT STREETCAR PROJECT
**TYPICAL STATION PLAN
CENTER PLATFORM**

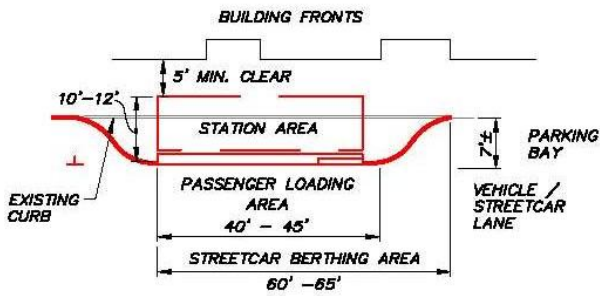
DOWNTOWN/RIVERFRONT STREETCAR—STATION LAYOUTS



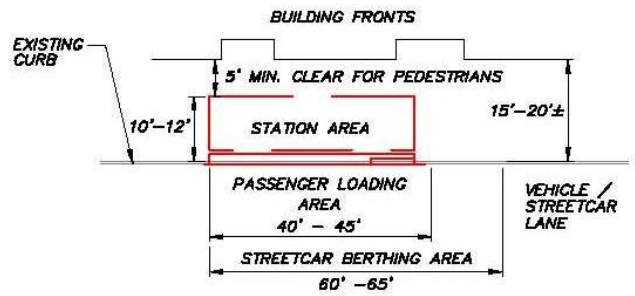
FAR SIDE CORNER STATION LAYOUT



NEAR SIDE CORNER STATION LAYOUT



MID-BLOCK STATION LAYOUT



CURB SIDE STATION LAYOUT